



DATE FLIGHT
N.A.
DATE DELIVERY
DEC. 31, 1986

THIS MAP IS FOR ASSESSMENT PURPOSES ONLY. IT IS NOT VALID FOR LEGAL DESCRIPTION NOR CONVEYANCE.

REVISED & REPRINTED BY

 Precision Mapping, Geospatial Solutions.
 11 PLEASANT STREET, LITTLETON, NH 03601
 800.322.4540 - WWW.CAI-TECH.COM

ADJACENT SHEET No.	203
AREA CALCULATED	8 Ac
AREA SURVEYED	8.3 Ac
SCALED DIMENSION	100'S

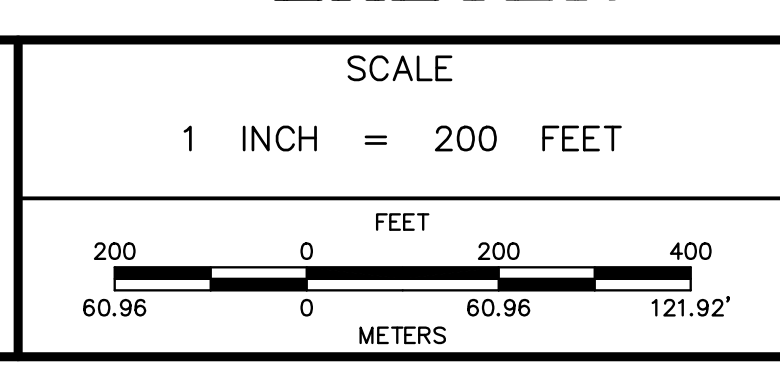
LEGEND

- PRIME WETLANDS
- COMMON OWNERSHIP
- DEVELOPMENT LOT No.
- MATCH LINE
- RIGHT OF WAY

OR

M.L.

R/W



TOWN OF
NEWFIELDS
 NEW HAMPSHIRE

REVISED THROUGH

MAP NO.
211

NO PARCEL 2,9,10